

MEDICAL DEVICE FOR BONE EXTRACTION

The current technology is a medical device for bone extraction during bone surgery that allows obtaining a bone graft of a desired length with a smaller surgical wound.

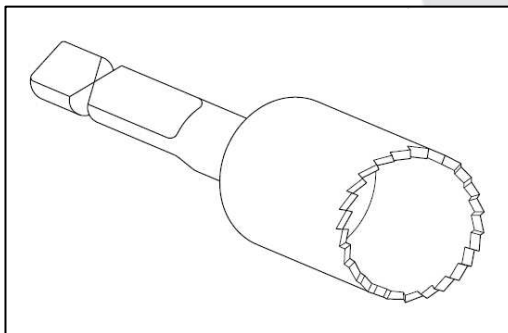
BACKGROUND

In bone surgeries, trephines allow extracting a cylindrical bone or graft by rotating a dented accommodation that perforates the bone. Although there are different devices that work at this manner some technical problems still have to be solved. The most important ones are that usually trephines obstruct the vision of the bone and that some displacement of the trephines can take place due to bone rigidity, creating discomfort to the patient and surgeon.

- It allows the effective selection of the area of the bone in which it is wanted to carry out the extraction.
- The fixation or limitation of the movement of the trephine in the initial moments of the extraction of the graft.
- The obtained graft will remain joined to the needle.

TECHNOLOGY DESCRIPTION

It is a medical device for bone extraction composed basically by an engine, a needle, and an accommodation for the graft.



This figure shows the accommodation of the trephine.

ADVANTAGES

The present technology has the following advantages:

CURRENT STAGE OF DEVELOPMENT

Bone graft of desired length has been obtained using an easy and simple way of extraction and causing a smaller surgical wound.

GOAL

We are searching companies interested in the acquisition of the license and the manufacture and commercialization of the product.

PATENT

Patent application P200802989 was filed on October 2008 and granted on March 2011. Applicant: Hospital Clínic i Provincial de Barcelona.

CONTACT

Teresa Lloret
Fundació Clínic
Tel. + 34 (93) 2275400 (ext. 4356)
mtlloret@clinic.ub.es